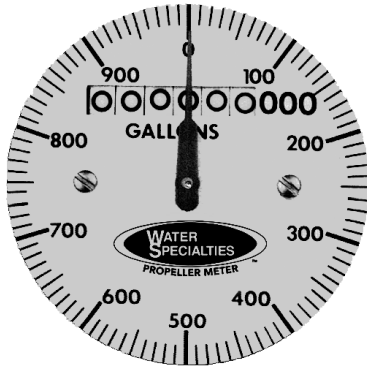




**MODEL TR04-2**  
TOTALIZER - TRANSMITTER  
ONE CONTACT PER SWEEP HAND REVOLUTION  
2-WIRE CIRCUIT



TOTALIZER



## DESCRIPTION

**MODEL TR04-2 TOTALIZER-TRANSMITTERS** provide a totalization of flow volume and a pulse output signal of one contact per totalizer hand revolution when mounted on any of our meters. The unit features a durable magnetically actuated reed switch

**INSTALLATION** is normally made at the factory when the meter is assembled, but installation may be made in the field by removing the standard totalizer assembly and attaching the totalizer-transmitter to the meter head. Model TR04-2 is for installation on propeller meters. The unit is furnished complete with all screws and o-rings necessary for installation.

**CONSTRUCTION** of the totalizer-transmitter features an o-ring sealed housing conforming to NEMA 4X standards.

**TOTALIZER** is o-ring sealed and magnetically coupled with the driving mechanism, and features a six digit totalizer with a full 3" diameter, 100 division, center sweep dial that permits extremely accurate readings for timing purposes in determining flow rates. The totalizer dial can be furnished in gallons, cubic feet, acre feet or any standard liquid measuring units. The bonnet, with padlock hasp, can be positioned in four different directions for the easiest possible reading when the meters are mounted in unusual positions.

**TRANSMITTER** utilizes a long-life magnetically actuated reed switch. The pulse rate output is one contact per totalizer hand revolution, for use with a remote totalizer (i.e. IN16) or a computer controller requiring standard normally open switching. A two-lead shielded cable, 4 feet long, is furnished with each transmitter.

**O-RING SEALS** are used at all points where seals are required, making the totalizer-transmitter mechanism completely immune to any of the corrosive effects of atmospheric moisture or the liquids measured by the meter assembly.

## SPECIFICATIONS

**ACCURACY** Plus or minus 2.0% within the range specified for each meter size.

**TEMPERATURE RANGE** 140° F Maximum. Consult factory for special construction for higher temperatures.

**FLOW RANGE** Acceptable for each totalizer-transmitter unit is the same as that for the meter to which the unit mounts.

**OUTPUT SIGNAL** Pulse rate: one contact per revolution of totalizer sweep hand. Maximum pulse transmission distance: 1,000 ft.

**SWITCH RATING**

Contact rating	10 watts
Switching voltage	200 Vdc-Max.
Switching current	0.5 Amp.-Max.
Carry current	1.2 Amp.-Max
Initial contact resistance	.100 Ohms-Max.
Capacitance	0.2 Picofarads-typ.

Note: Switch contact normally open.

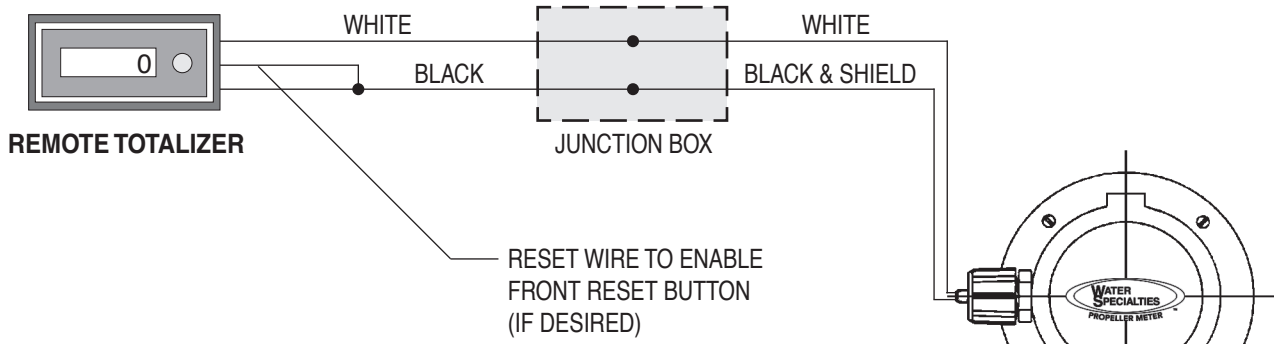
**MATERIALS** Used in construction are chosen for their durability and immunity to the corrosive effects of atmospheric moisture and the liquids measured by the meter assembly.

**SHIPPING WEIGHT** 4 pounds.

**ORDERING INFO** Must be specified by the customer and includes:

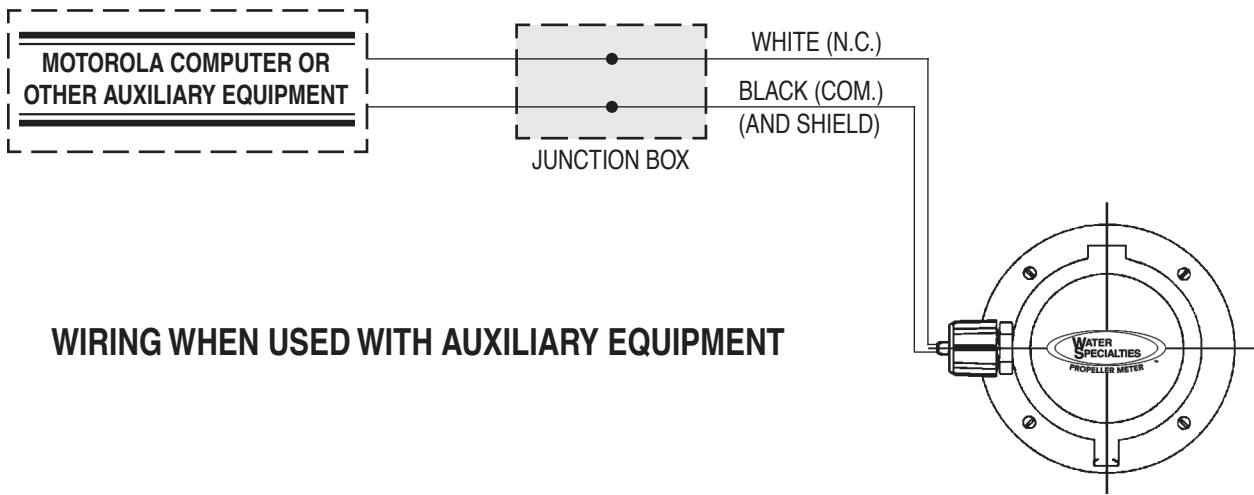
- Serial number of meter unit is to be mounted on
- Change gears and type of dial on unit that is going to be replaced
- Totalizer units

**MODEL TR04-2**  
TOTALIZER - TRANSMITTER  
ONE CONTACT PER SWEEP HAND REVOLUTION  
2 - WIRE CIRCUIT



**WIRING WHEN USED WITH REMOTE TOTALIZER**

**MODEL TR04-2**



**WIRING WHEN USED WITH AUXILIARY EQUIPMENT**

**MODEL TR04-2**