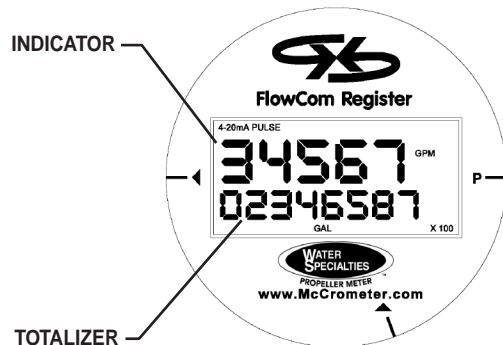




MODEL OF12-D
OPEN FLOW METER
 SOLID STATE ELECTRONIC PROPELLER METER
 DIGITAL INDICATOR - TOTALIZER
 SIZES 10" thru 72"



TYPICAL
 DIGITAL INDICATOR-TOTALIZER



DESCRIPTION

MODEL OF12-D OPEN FLOW METERS are designed for accurate metering of ditch turnouts, reservoir outlets, closed conduits or other similar installations. The rigid, light weight construction and simple installation allow easy removal for winter storage or transfer to other locations. The upper mounting plate is equipped with a padlock hasp. The lower bracket has suitable guides for easy installation. An optional revolving mounting bracket, with padlock hasp, is also available. The revolving mounting bracket allows the meter assembly to be raised approximately 2 inches permitting the column to be rotated 180 degrees and easily withdrawn. The revolving mounting bracket is ideal when high velocity flow conditions exist. An optional remote mounting kit with up to 100 feet of cable is available to locate the indicator-totalizer at remote locations.

INSTALLATION can be made to any wall or vertical structure which will center the propeller in the flow measuring area. The meter location must have a controlled flow measuring area and a full flow of liquid for proper accuracy. Fully opened gate valves, fittings or other obstructions that tend to set up flow disturbances should be a minimum of ten pipe diameters upstream from the meter. Installations with less than ten pipe diameters of straight pipe require straightening vanes. Meters with straightening vanes require at least five pipe diameters upstream.

PROPELLER is magnetically coupled with the electronic sensor through the sealed gearbox. This completely eliminates water entering the meter assembly, and eliminates all moving parts except for the propeller. The propeller is a conical shaped three bladed propeller, injection molded of thermoplastic material resistant to normal water corrosion and deformity due to high flow velocities.

BEARING in propeller is a water lubricated ceramic sleeve and spindle bearing system with a ceramic/stainless steel spindle. Dual ceramic thrust bearings, standard on all meters, handle flows in both forward and reverse directions. The bearing design promotes extended periods of maintenance free propeller operation.

DIGITAL INDICATOR-TOTALIZER has a non-volatile EEPROM memory to store totalizer count (updated hourly while running). Features a large two line display. Five digit top line indicates flow rate, and eight digit bottom line provides volumetric flow data. Indicator is available in 22 different units, including GPM, CFS, MGD. Totalizer is available in 20 different units, including Gallons, AF, CF. Units of measurement are user-selectable. Battery life is 6 -10 years. Housing is NEMA 4X rated.

Available with optional 4-20mA and/or pulse output.

SPECIFICATIONS

ACCURACY Plus or minus 2% of actual flow within the range specified for each meter size.

TEMPERATURE RANGE 140° F Maximum. Consult factory for special construction for higher temperatures.

MINIMUM FLOWS As shown for each meter size and construction are required for accurate registration. See flow chart.

MAXIMUM FLOWS As shown for each meter size and construction are rated for continuous operation. See flow chart.

INTERMITTENT FLOWS As shown for each meter size are rated for 10% to 15% of the total time the meter is operating. Consult factory for High Velocity construction when intermittent flows are higher than shown on flow chart and/or when longer operating periods are required.

MATERIALS Used in construction are chosen to minimize the corrosive effects of the liquids measured by the meter assembly.

PROPELLER MAGNETS - permanent ceramic type

PROPELLER BEARING - ceramic sleeve type

PROPELLER SPINDLE - ceramic coated stainless steel

PROPELLER - injection molded thermoplastic

GEARBOX - stainless steel

SEPARATOR - stainless steel

BOLTS - stainless steel

DROP PIPE - bronze

METER HEAD - cast bronze

MOUNTING BRACKETS - cast bronze

OPTIONAL Includes a remote mounting kit with up to 100 feet

EQUIPMENT of cable, digital transmitter, revolving mounting frame and a wide range of controls and instruments for indicating, totalizing and recording flow data for each meter. Special constructions and materials are available upon request.

ORDERING INFO Must be specified by the customer and includes: "A" dimension (see back of data sheet)

Pipe I.D.

Minimum & maximum flow ranges

Temperature of meter environment

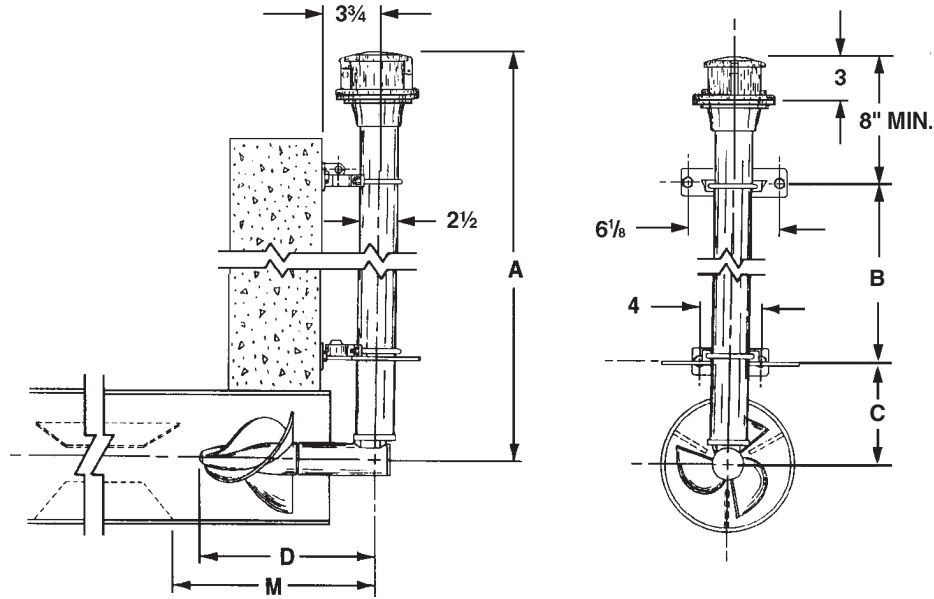
Indicator scale and units

Totalizer dial units

Type of materials and construction

Optional equipment desired

MODEL OF12-D
 OPEN FLOW METER
 SOLID STATE ELECTRONIC PROPELLER METER
 DIGITAL INDICATOR-TOTALIZER
 SIZES 10" thru 72"



METER & PIPE SIZE	FLOW RANGES, GPM			DIMENSIONS					SHIPPING WEIGHT POUNDS*
	MIN.	MAX.	INT.	A*	B	C	D	M	
10	300	2000	3000				11½	13½	80
12	400	3000	3500				11½	13½	80
14	500	4000	4500				11½	13½	80
16	600	5000	6000				11½	13½	80
18	800	6000	7500				11½	13½	80
20	900	8000	9000				11½	13½	80
24	1000	10000	13500				11½	13½	80
30	1800	15000	21000				11½	13½	80
36	2000	20000	30000				11½	13½	80
42	3000	30000	40000				11½	13½	80
48	5500	35000	50000				11½	13½	80
54	6500	45000	55000				11½	13½	200
60	7500	60000	80000				11½	13½	200
66	8500	75000	95000				11½	13½	200
72	9500	90000	115000				11½	13½	200

* NOTE: Model OF12-D meters are equipped with a 6 foot "A" dim. unless otherwise specified.

** NOTE: Shipping weights are approximate. Actual weight depends upon "A" dim.